

CSS-A15

V1.0

INSTALLATION HW 3.0

A. Package Content

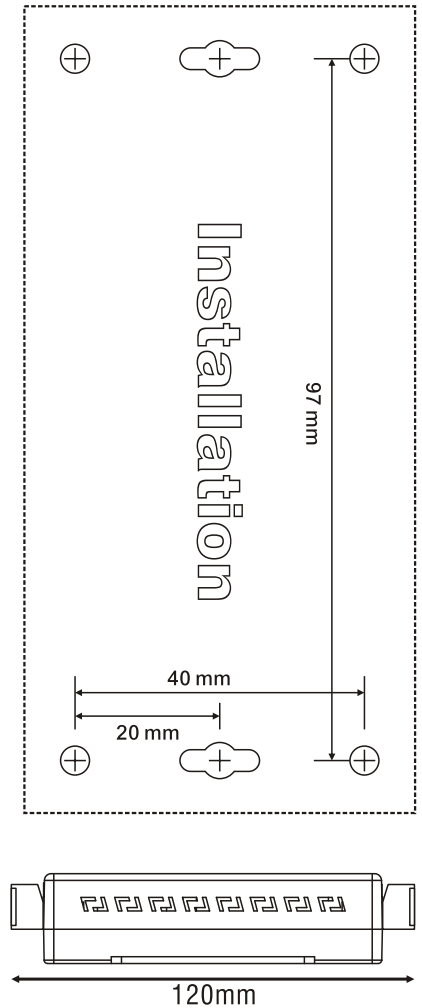
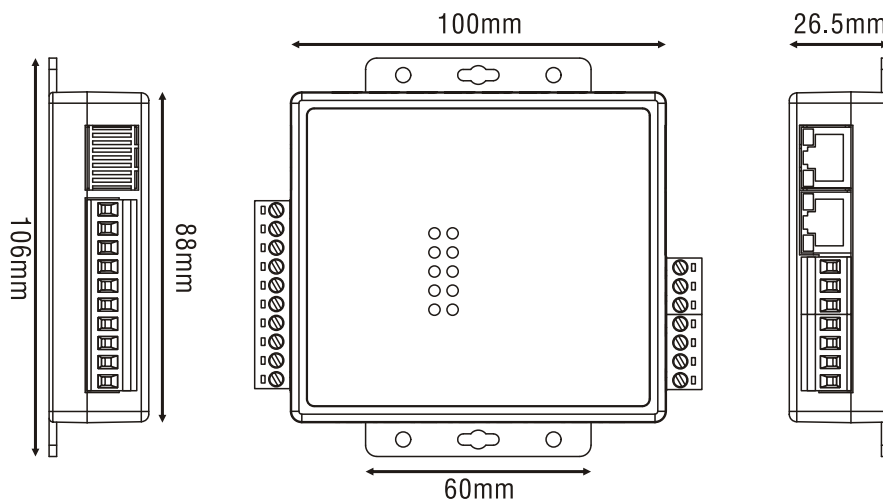
Relay box x 1, RJ45 cable x 2, installation guide x 1
 Kit pack : screw x 4, screw anchors x 4

B. Specification

- Dimension : 100 x 106 x 26.5 mm
- Voltage range : 9 ~ 24 VDC
- Recommend power : 600mA ~ 1000mA
- Wiegand range : Max 100M
- RS485 range : Max 1000M

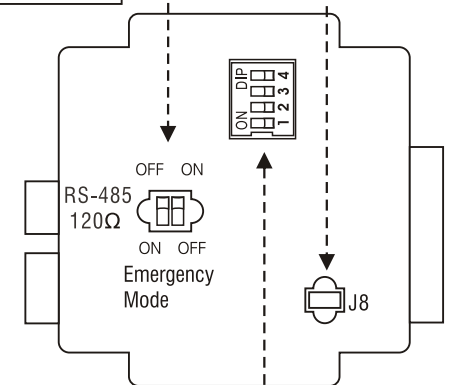
Recommend

- DC power supply
- RVSP shielded twisted pair RS485 cable



C. Short-Circuit Plate Status Description

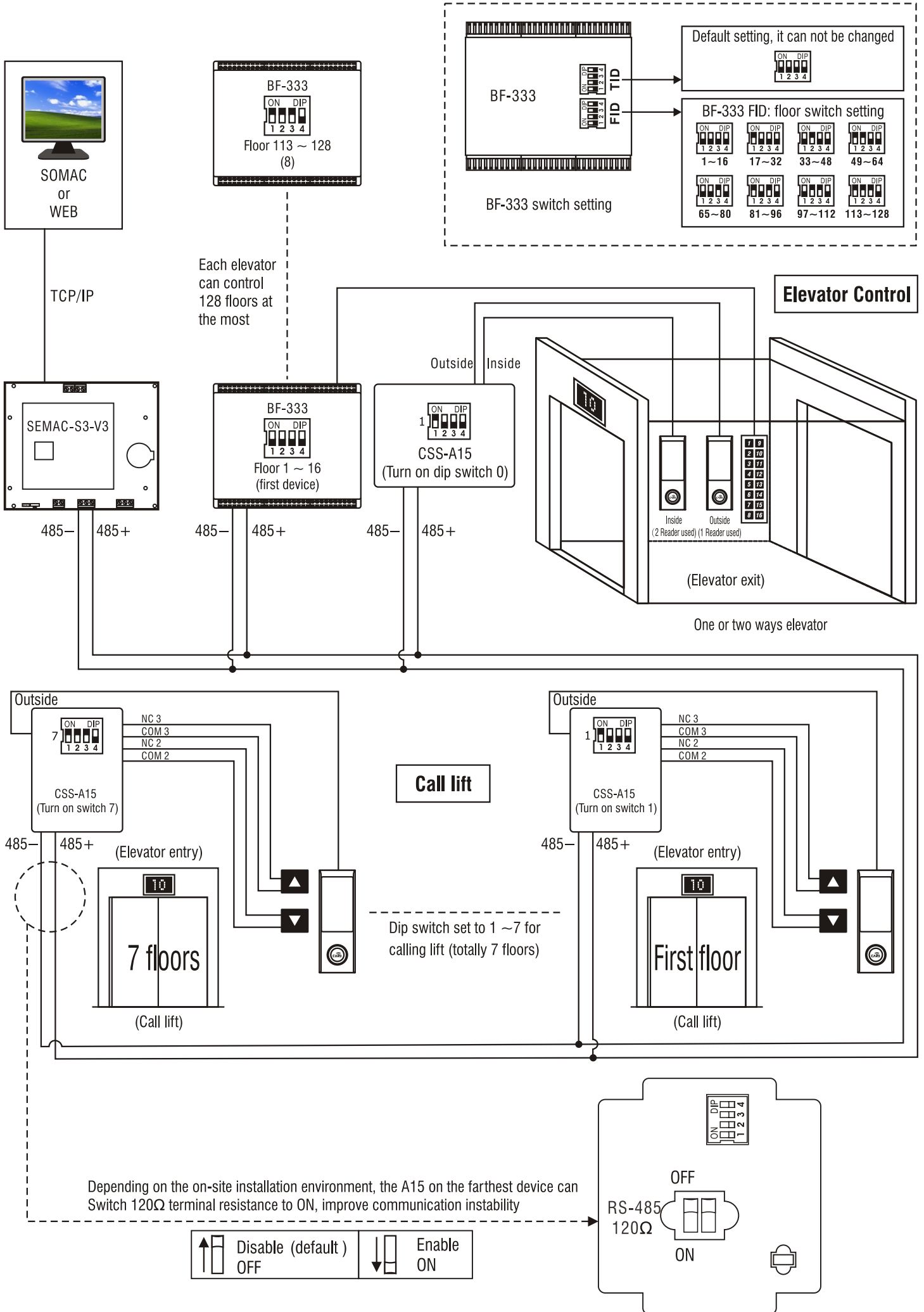
Jumps J8	Buzzer switch		
		Short: enable (default)	Open: disable
Emergency Mode	When RS485 disconnected, exit button can still function without controller's verification	Enable (default) ON	Disable OFF
RS485 120Ω	Enable/Disable build in 120Ω resistor for furthest relay box	Disable (default) OFF	Enable ON



D. Switch setting

CSS-A15 inside of elevator WG reader ★ Relay box needs to use call lift version firmware ★ 	(1~7 dip switch) for calling lift ★ Relay box needs to use call lift version firmware ★
---	---

E. Application Architecture

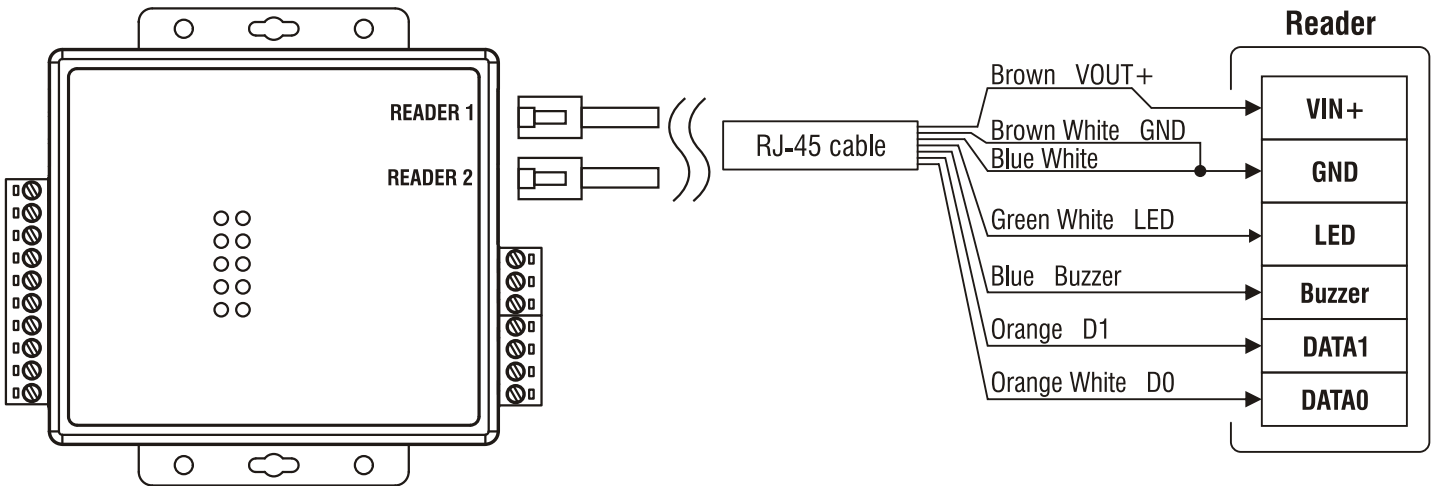


F. RJ45 and Wiegand Reader Wire Description

Wiegand range Max 100M

1	Orange White	DATA 0	
2	Orange	DATA 1	
3	Green White	Output, Control Reader LED	
4	Blue	Output, Control Reader Buzzer	
5	Blue White	Reader Sensing Control (Must short GND)	
6	Green	Retention	
7	Brown White	GND	DC 9-24V Power Output, Same as Relay box Power Input.
8	Brown	VOUT+	

G. RJ45 & Wiegand Reader Connection



F. Connection Diagram

